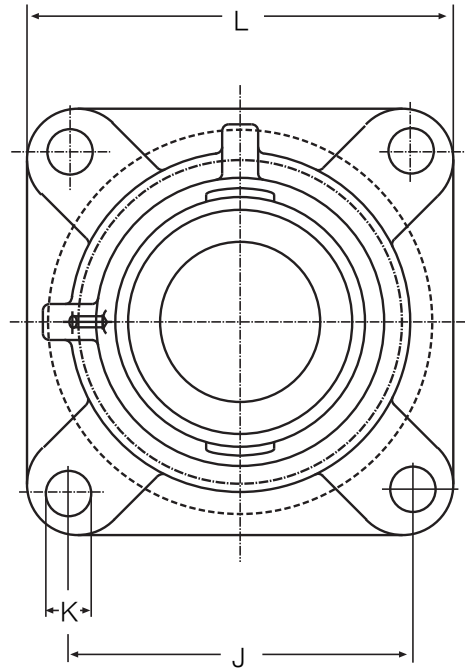
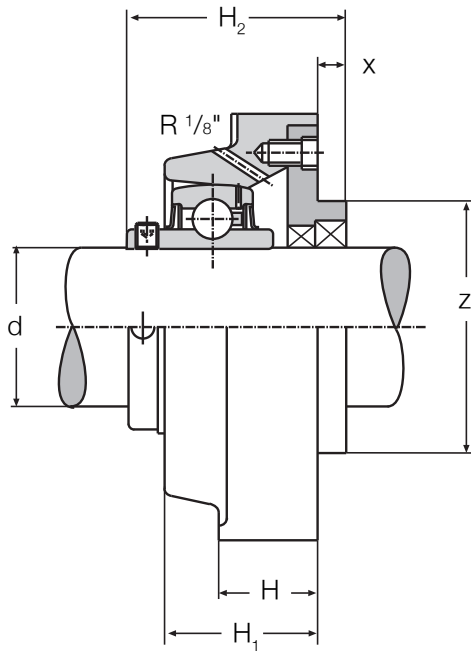


Housed Bearing Units

Series FUU-Special



Unit Ref	Shaft Diameter d	Bearing Ref	Weight kg	Dimensions mm							Load Rating		
				L	J	K	H	H ₁	H ₂	Z ₉₀	x	Dynamic c kN	Static c ₀ kN
FUU 30 spez.	30	UC 206	1,8	108	82,5	11,5	14	31,0	55,5	95,0	15,0	19,5	11,3
FUU 40 spez.	40	UC 208	3,3	130	101,5	14,0	19	37,0	70,2	115,0	14,0	32,5	19,8
FUU 50 spez.	50	UC 210	3,2	143	111,0	14,0	19	47,0	66,5	81,0	5,5	35,0	23,2
FUU 60 spez.	60	UC 212	6,3	175	143,0	17,0	20	53,0	86,2	145,0	14,5	52,0	36,0
FUU 70 spez.	70	UC 214	8,2	188	150,0	20,0	20	63,5	96,0	159,0	13,5	62,0	44,0
FUU 80 spez.	80	UC 216	10,3	208	165,0	23,0	25	58,0	115,3	190,0	28,0	72,0	54,0
FUU 90 spez.	90	UC 218	14,0	235	187,0	23,0	29	68,0	116,8	150,0	20,5	96,0	72,0